

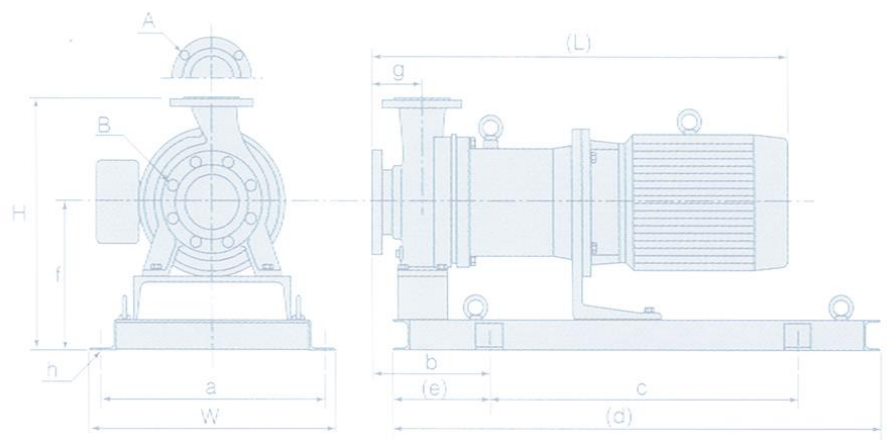



 Management System  
 ISO 9001:2015  
 www.tuv.com  
 ID: 9105914548  
 Zertifikat-Registrier-Nr.:  
 01 100 021016



## IWAKI Europe GmbH – Company Information

<b>Company Name</b>	<b>IWAKI Europe GmbH</b>
<b>Address</b>	<b>Siemensring 115</b>
<b>Postal Code / Place</b>	<b>47877 Willich (Germany)</b>
<b>Sales Director</b>	<b>Ms. Cornelia Schulz</b>
<b>Phone Number</b>	<b>+49 (0)2154 9254-12</b>
<b>Fax Number</b>	<b>+49 (0)2154 9254-48</b>
<b>E-Mail Address</b>	<b>sales@iwaki.de</b>
<b>Website</b>	<b>https://www.iwakiurope.com/en/</b>
<b>Chamber of Commerce No.</b>	<b>HRB 4514</b>
<b>VAT-id. No.</b>	<b>DE119107628</b>
<b>Currency</b>	<b>EUR</b>
<b>Bank</b>	<b>Deutsche Bank, Krefeld</b>
<b>Bank Address</b>	<b>Ostwall 131</b>
	<b>47798 Krefeld</b>
<b>Sort Code/BLZ Code</b>	<b>320 700 80</b>
<b>Bank Account No.</b>	<b>166110700</b>
<b>IBAN</b>	<b>DE73320700800166110700</b>
<b>SWIFT</b>	<b>DEUTDEDD320</b>
<b>Managing Directors</b>	<b>Mr. Hideki Uchida</b>
	<b>Mr. Tomoki Egami</b>
<b>Company Set-up Date</b>	<b>01.10.1985</b>



IWAKI EUROPE GMBH  
 Siemensring 115  
 47877 Willich

Telefon: +49 2154 9254-0  
 Fax: +49 2154 9254-66  
 e-mail: info@iwakiurope.de

Amtsgericht Krefeld  
 Handelsregister Krefeld HRB 4514  
 Geschäftsführer: H. Uchida, T. Egami